



ENGINE

Model	: ISUZU AR-4J1XASW-2
Type	: Water cooled, 4 cycle, 4 cylinders, line type direct injection, turbocharger, electronic diesel engine
Power	: 105 HP (78,5 kW) @2000 rpm / SAE J1995 (Gross) : 102 HP (76,4 kW) @2000 rpm / SAE J1349 (Net)
Max. Torque	: 375 Nm @1800 rpm (Gross) : 362 Nm @1800 rpm (Net)
Displacement	: 2999 cc
Bore and Stroke	: 95,4 mm x 104,9 mm
This engine complies with the Emission Regulations U.S. EPA Tier 4 Final, and EU Stage 4	

UNDERCARRIAGE

Shoe	: Triple grouser 500 mm
No. Of Shoes	: 2 x 46
No. Of Lower Rollers	: 2 x 7
No. Of Upper Rollers	: 2 x 2
Track Tensioning	: Hydraulic Spring Tensioning

CAB

- Wide cab and easy entrance
- Use of six viscomount cabin mountings that dampen the vibrations
- Cooled storage room
- Colourful, Easy to read TFT indicant monitor
- Glass holder, book and object storage pockets
- Full automatic digitally air-conditioner
- Overclass standarts on the visibility
- Pool type floor mat
- Improved operator's comfort through versatile adjustable seat
- Ergonomically redesigned cabin through relocated switch board, and re-styled travel pedals and levers
- USB connected MP3 player
- Easy to open the front sliding glass
- Front and rear sun visor
- Large storage areas
- Height adjustable joystick
- Improved seat to back angle
- The height adjustable seat armrests
- Opera Control System

TRAVEL AND BRAKERS

Travel	: Fully hydrostatic
Travel Motors	: Axial piston type
Reduction	: 2 stage planetary gear
Travel Speed	
High Speed	: 5,7 km/h
Low Speed	: 3,4 km/h
Max. Drawbar Pull	: 11.230 kqf
Gradeability	: 35° (%70)
Parking Brake	: Hydraulic disc type, automatic warnings
Ground Pressure (500mm Shoe)	: 0,48 kqf/cm ²

LUBRICATION

Centralized lubrication system is provided for lubrication all difficult-to-reach parts on the components, such as boom and arm

HYDRAULIC SYSTEM

Main Pump	
Type	: Double variable displacement axial piston pumps
Max. Flow	: 2 x 129 L/min
Pilot Pump	: 20 L/min
Relief Valves	
Cylinders	: 320 kqf/cm ²
Power Boost	: 350 kqf/cm ²
Travel	: 350 kqf/cm ²
Swing	: 260 kqf/cm ²
Pilot	: 40 kqf/cm ²
Cylinders	
Boom	: 2 x ø110 x ø75 x 1080 mm
Arm	: 1 x ø115 x ø80 x 1225 mm
Bucket	: 1 x ø100 x ø70 x 910 mm

OPERA CONTROL SYSTEM

- Easy-to-use control panel and menus
- Overheat prevention and protection system without interrupting the work
- Automatical electric power-off
- Maximum efficiency by selection of power and work modes
- Error mode registry and warning system
- Improved fuel economy and productivity
- Automatic idling Selection of multi-language on control panel
- Rear-view, arm-view camera (Optional)
- Possibility to register 27 different operating hours
- Anti-theft system with personal code
- Real time monitoring of operational parameters such as pressure, temperature, engine load
- Hidromek Smartlink (Optional)
- Automatic preheating
- Automatical powerboost

SWING SYSTEM

Swing Motor	: Axial piston type integrated with shock absorber valves
Reduction	: 2 stage planetary gear box.
Swing Brakes	: Hydraulic disc type, automatic warnings
Swing Speed	: 11,3 rpm

CAPACITY

Fuel Tank	: 235 L	Engine Oil	: 16 L
Hydraulic Tank	: 115 L	Radiator	: 21 L
Hydraulic System	: 205 L		

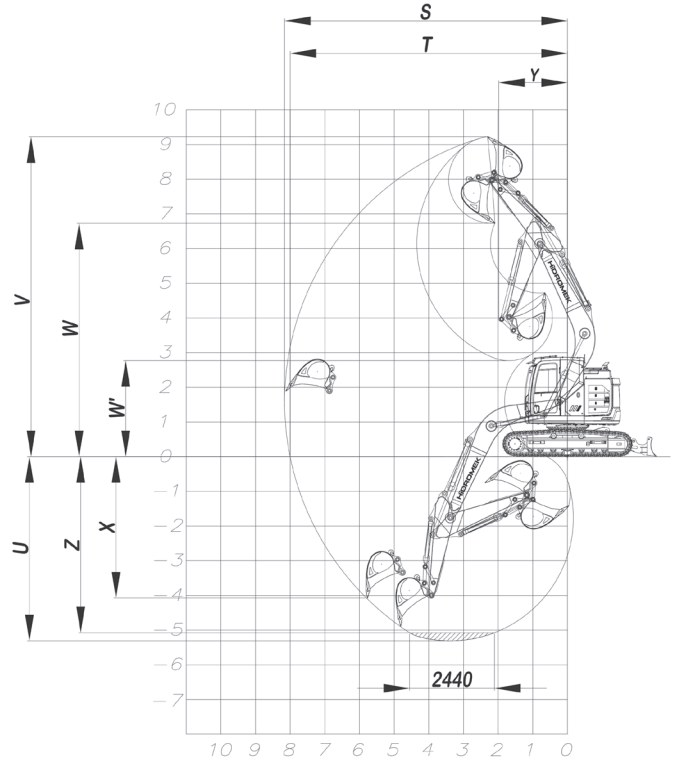
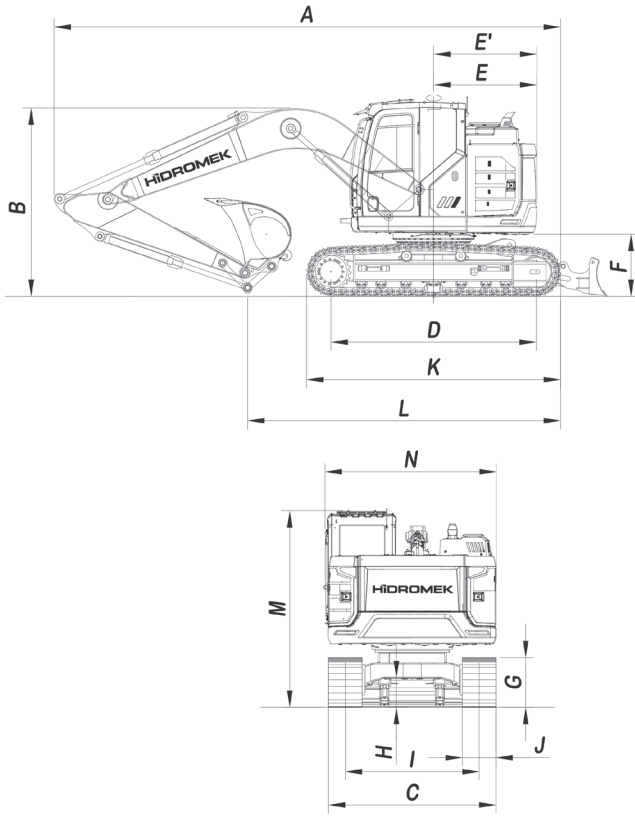
ELECTRICAL SYSTEM

Voltage	: 24 V
Battery	: 2 x 12 V x 100 Ah
Alternator	: 24 V / 50 A
Starting Motor	: 24 V / 4 kW

OPERATING WEIGHT

Standard machine operating weight	: 16.850 kg
-----------------------------------	-------------

Operational weight, complying with the ISO 6016 standards, includes full fuel tank, hydraulic system and other liquids, 75 kg operator weight and standard equipped machine weight. Optional equipments are not included.



GENERALE DIMENSIONS

Boom dimension	4600 mm		
Arm dimension	*2300 mm	2600 mm	2900 mm
A - Overall length	7520 mm	7520 mm	7520 mm
B - Overall height (to top of boom)	2840 mm	2960 mm	3030 mm
C - Overall width (of lower structure)	2510 mm		
D - Idler distance	3035 mm		
E - Tall swing radius	1500 mm		
E' - Tall swing distance	1520 mm		
F - Upperstructure ground clearance	940 mm		
G - Crawler height	830 mm		
H - Min. Ground clearance	430 mm		
I - Track gauge	1990 mm		
J - Shoe width	500 mm		
K - Overall length of crawler	3780 mm		
L - Length over ground	4620 mm	4460 mm	4220 mm
M - Overall height (to top of cab)	2960 mm		
N - Upperstructure width	2500 mm		

* Standard

WORKING DIMENSIONS

Boom dimension	4600 mm		
Arm dimension	*2300 mm	2600 mm	2900 mm
S - Max.digging reach	8210 mm	8510 mm	88790 mm
T - Max.digging reach at ground level	8050 mm	8360 mm	8640 mm
U - Max.digging depth	5360 mm	5660 mm	5960 mm
V - Max.digging height	9270 mm	9550 mm	9790 mm
W - Max.dumping height	6690 mm	6960 mm	7200 mm
W' - Min.dumping height	2720 mm	2450 mm	2140 mm
X - Max.vertical digging depth	4850 mm	5180 mm	5470 mm
Y - Min.swing radius	1990 mm	2120 mm	2160 mm
Z - Max. digging depth(2440mm level)	5130 mm	5450 mm	5770 mm

DIGGING PERFORMANCE

Bucket Capacity (SAE)	*0,6 m ³	0,5 m ³	0,5 m ³
Bucket Digging Force (Power Boost) ISO	9600 (10500) kgf		
Arm Crowd Force (Power Boost) ISO	6900 (7600) kgf	6300 (6900) kgf	5800 (6400) kgf