



## ENGINE

Model	: ISUZU-AL-6HK1X
Type	: Water-cooled, 4 cycle, 6 cylinders, line type direct injection, turbocharger, intercooler, electronic diesel engine
Power	: 281HP @1900 rpm / SAE J1995 (Gross) : 265HP @1900 rpm / SAE J1349 (Net)
Max. Torque	: 1080 Nm @1500 rpm (Gross) : 1043 Nm @1500 rpm (Net)
Displacement	: 7790 cc
Bore and Stroke	: 115 mm x 125 mm
Emission Class	: FAZ III-B (Tier 4)*
This new engine complies with the Emission Regulations U.S. EPA Tier 4 Interim and EU Stage III-B	

## UNDERCARRIAGE

X Type Lower Frame Construction Pentagon Box Type Chassis	
Shoe	: Triple grouser
No. Of Shoes	: 2 x 50
No. Of Lower Rollers	: 2 x 9
No. Of Upper Rollers	: 2 x 2
Full Trackguard	: Complete
Track Tensioning	: Hydraulic Spring Tensioning

## CAB

- Wide cab and easy entrance
- Use of six viscomount cabin mountings that dampen the vibrations
- Cooled storage room
- Colourful, Easy to read TFT indicant monitor
- Glass holder, book and object storage pockets
- Full automatic digitally air-conditioner
- Overclass standarts on the visibility
- Pool type flor mat
- Improved operator's comfort through versatile adjustable seat
- Ergonomically redesigned cabin through relocated switch board, and re-styled travel pedals and levers
- USB connected MP3 player
- Easy to open the front sliding glass
- Front and rear sun visor
- Large storage areas
- Height adjustable joystick
- Improved seat to back angle
- The height adjustable seat armrests
- Opera Control System

## TRAVEL AND BRAKERS

Travel	: Fully hydrostatic
Travel Motors	: Axial piston type
Reduction	: 2 stage planetary gear
Travel Speed	
High Speed	: 4,9 km/h
Low Speed	: 2,9 km/h
Max. Drawbar Pull	: (370LC HD) 30.540 kgf : (370NLC) 30.420 kgf
Gradeability	: 35° (%70)
Parking Brake	: Hydraulic multi disc type, integrated transmission
Ground pressure (600mm Shoe) 370 LCHD	: 0,72 kgf/cm <sup>2</sup>
Ground pressure (600mm Shoe) 370 NLC	: 0,73 kgf/cm <sup>2</sup>

## HYDRAULIC SYSTEM

<b>Main Pump</b>	
Type	: Double variable displacement axial piston pumps
Max. Flow	: 2 x 290 L/min
Pilot Pump	: Gear, 28 L/min
<b>Relief Valves</b>	
Attachment	: 330 kgf/cm <sup>2</sup>
Power Boost	: 350 kgf/cm <sup>2</sup>
Travel	: 350 kgf/cm <sup>2</sup>
Swing	: 265 kgf/cm <sup>2</sup>
Pilot	: 40 kgf/cm <sup>2</sup>
<b>Cylinders</b>	
Main Boom (370LC / NLC)	: 2 x ø 150 x ø 105 x 1.510 mm
Stick Cylinder (370LC / NLC)	: 1 x ø 170 x ø 120 x 1.830 mm
Bucket Cylinder (370LC / NLC)	: 1 x ø 150 x ø 110 x 1.280 mm

## OPERA CONTROL SYSTEM

- Easy-to-use control panel and menus
- Overheat prevention and protection system without interrupting the work
- Automatical electric power-off
- Maximum efficiency by selection of power and work modes
- Error mode registry and warning system
- Hidromek Smartlink
- Automatic preheating
- Automatical powerboost (Optional)
- Improved fuel economy and productivity
- Automatic idling Selection of multi-language on control panel
- Rear-view, arm-view camera (Optional)
- Possibility to register 26 different operating hours
- Anti-theft system with personal code
- Real time monitoring of operational parameters such as pressure, temperature, engine load

## SWING SYSTEM

Swing Motor	: Axial piston type integrated with shock absorber valves
Reduction	: 2 stage planetary gear box.
Swing Brakes	: Hydraulic multi disc type, automatic warnings
Swing Speed	: 8,64 rpm

## CAPACITY

Fuel Tank	: 555 L	Engine Oil	: 36 L
Hydraulic Tank	: 260 L	Swing Reduction	: 7,2 L
Hydraulic System	: 480 L	Travel Reduction	: 2x10 L
Radiator	: 39 L		

## ELECTRICAL SYSTEM

Voltage	: 24 V
Battery	: 2 x 12 V x 150 Ah
Alternator	: 24 V / 50 A
Starting Motor	: 24 V / 5,0 kw

## LUBRICATION

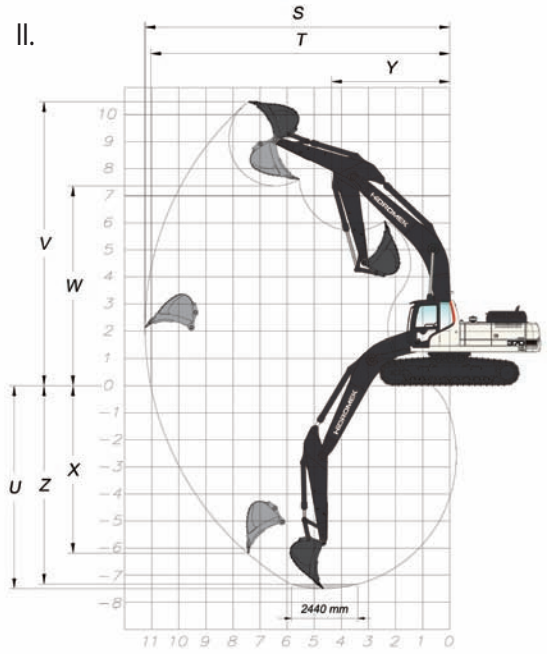
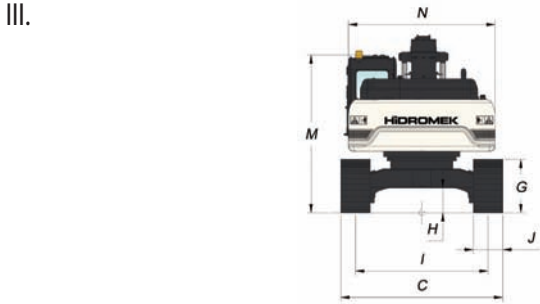
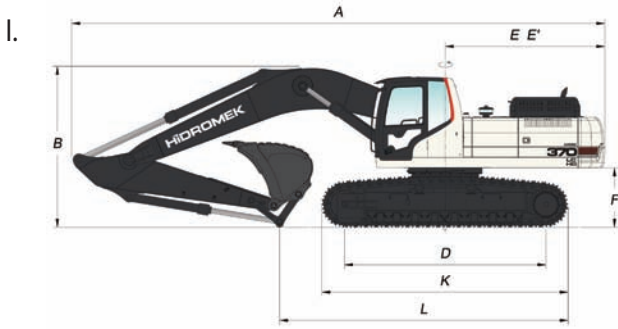
Centralized lubrication system is provided for lubrication all difficult-to-reach parts on the components, such as boom and arm

## OPERATING WEIGHT

370 LCHD (600mm Shoe)	: 39.250 kg
370 NLC (600mm Shoe)	: 40.050 kg

Operational weight, complying with the ISO 6016 standards, includes full fuel tank, hydraulic system and other liquids, 75kg operator weight and standard equipped machine weight. Optional equipments are not included.

# HMK 370 LC HD



## I. GENERAL DIMENSIONS

Boom Dimension	*6.100 mm		
Arm Dimension	2.200 mm	*2.600 mm	3.200 mm
A - Overall Length	10.980 mm	10.940 mm	10.830 mm
B - Overall Height (to top of boom)	3.800 mm	3.680 mm	3.360 mm
C - Overall Width (LC)	*3.300 / 3.400 / 3.500 / 3.600 mm		
C - Overall Width (NLC)	*2.990 / 3.090 / 3.190 mm		
D - Idler Distance	4.240 mm		
E - Counterweight Distance	3.400 mm		
E' - Turning Radius	3.420 mm		
F - Upper Structure Ground Clearance	1.250 mm		
G - Crawler Height	1.090 mm		
H - Minimum Ground Clearance	510 mm		
I - Track Gauge (LC/NLC)	2.700 mm / 2.390 mm		
J - Shoe Width	*600 / 700 / 800 / 900 mm		
K - Overall Length of Crawler	5.190 mm		
L - Length Over Ground	7.460 mm	6.660 mm	5.620 mm
M - Overall Height (to Top of Cab)	3.190 mm		
N - Upper Structure Width	2.990 mm		

\* Standard

## II. WORKING DIMENSIONS

Boom Dimension	*6.100 mm		
Arm Dimension	2.200 mm	*2.600 mm	3.200 mm
S - Maximum Digging Reach	10.040 mm	10.380 mm	10.900 mm
T - Maximum Digging Reach at Ground Level	9.810 mm	10.150 mm	10.690 mm
U - Maximum Digging Depth	6.160 mm	6.560 mm	7.160 mm
V - Maximum Digging Height	9.960 mm	10.020 mm	10.200 mm
W - Maximum Dumping Clearance	6.750 mm	6.870 mm	7.070 mm
W' - Minimum Dumping Clearance	3.570 mm	3.070 mm	2.480 mm
X - Maximum Vertical Digging Depth	4.930 mm	5.050 mm	5.540 mm
Y - Minimum Swing Radius	4.330 mm	4.110 mm	4.110 mm
Z - Maximum Digging Depth (2440 mm level)	5.960 mm	6.380 mm	7.000 mm

## III. DIGGING PERFORMANCE

Standard Bucket Capacity (SAE)	2,2 m <sup>3</sup>
Bucket Digging Force (Power Boost) ISO	23.400 (24.800) kgf
Arm Crowd Force (Power Boost) ISO	24.300 (25.700) kgf



## HIDROMEK®

### FACTORY - HEAD OFFICE

Ahi Evran OSB Mahallesi Osmanlı Caddesi No:1 06935 Sincan / ANKARA / TURKEY  
Tel: (+90) 312 267 12 60 Fax: (+90) 312 267 12 39  
www.hidromek.com

Notice:  
Hidromek has the right to modify the specifications and design of the model indicated on this brochure without prior notice.