



NEW!

ENGINE

Model	: ISUZU-AH-6HK1X
Type	: Water-cooled, 4 cycle, 6 cylinders, line type direct injection, turbocharger, intercooler, electronic diesel engine
Power	: 287 HP (214 kW) @2000 rpm / SAE J1995 (Gross) : 268 HP (200 kW) @2000 rpm / SAE J1349 (Net)
Max. Torque	: 1136 Nm @1500 rpm (Gross) : 1070 Nm @1500 rpm (Net)
Displacement	: 7790 cc
Bore and Stroke	: 115 mm x 125 mm
Emission Class	: Stage IIIA / Tier 3 (EU/EPA)

UNDERCARRIAGE

X Type Lower Frame Construction Pentagon Box Type Chassis	
Shoe	: 2 grouser
No. Of Shoes	: 2 x 50
No. Of Lower Rollers	: 2 x 9
No. Of Upper Rollers	: 2 x 2
Track Tensioning	: Hydraulic Spring Tensioning

CAB

- Improved operator's all round visibility
- Increased cabin internal space
- Use of six viscomount cabin mountings that dampen the vibrations
- High capacity A/C
- High resolution, led backlight, color LCD display
- Opera Control System
- Cooled storage room
- Glass holder, book and object storage pockets
- Pool type floor mat
- Improved operator's comfort through versatile adjustable seat
- Ergonomically redesigned cabin through relocated switch board, and re-styled travel pedals and joysticks.

TRAVEL AND BRAKERS

Travel	: Fully hydrostatic
Travel Motors	: Axial piston type
Reduction	: 2 stage planetary gear
Travel Speed	
High Speed	: 5,0 km/h
Low Speed	: 3,0 km/h
Max. Drawbar Pull	: 30.260 kgf
Gradeability	: 35° (%70)
Parking Brake	: Hydraulic multi disc type
Ground pressure	: 0,75 kgf/cm ²

LUBRICATION

Centralized lubrication system is provided for lubrication all difficult-to-reach parts on the components, such as boom and arm

HYDRAULIC SYSTEM

Main Pump	
Type	: Double variable displacement axial piston pumps
Max. Flow	: 2 x 300 L/min
Pilot Pump	: Gear, 28 L/min
Relief Valves	
Attachment	: 350 kgf/cm ²
Power Boost	: 380 kgf/cm ²
Travel	: 350 kgf/cm ²
Swing	: 285 kgf/cm ²
Pilot	: 40 kgf/cm ²
Cylinders	
Main Boom	: 2 x ø 150 x ø 105 x 1510 mm
Stick Cylinder	: 1 x ø 170 x ø 120 x 1735 mm
Bucket Cylinder	: 1 x ø 150 x ø 110 x 1280 mm

OPERA CONTROL SYSTEM

- Easy-to-use control panel and menu
- Improved fuel economy and productivity
- Maximum efficiency by selection of power and work modes
- Overheat prevention and protection system without interrupting the work
- Automatic powerboost switch-on and switch-off
- Automatic electric power-off
- Maintenance information and warning system
- Error mode registry and warning system
- Ability to adjust hydraulic flow from Opera screen
- Maintenance information and warning system
- Automatic powershift to improve performance
- Selection of multi-language on control panel.
- Real time monitoring of operational parameters such as pressure, temperature, engine load
- Anti-theft system with personal code
- Possibility to register 26 different operating hours
- Rear-view, arm-view camera
- Hidromek Smartlink

SWING SYSTEM

Swing Motor	: Axial piston type integrated with shock absorber valves
Reduction	: 2 stage planetary gear box.
Swing Brakes	: Hydraulic multi disc type, automatic warnings
Swing Speed	: 9,2 rpm

CAPACITY

Fuel Tank	: 565 L	Engine Oil	: 38 L
Hydraulic Tank	: 265 L	Swing Reduction	: 19 L
Hydraulic System	: 470 L	Travel Reduction	: 2x10 L
Radiator	: 56 L		

ELECTRICAL SYSTEM

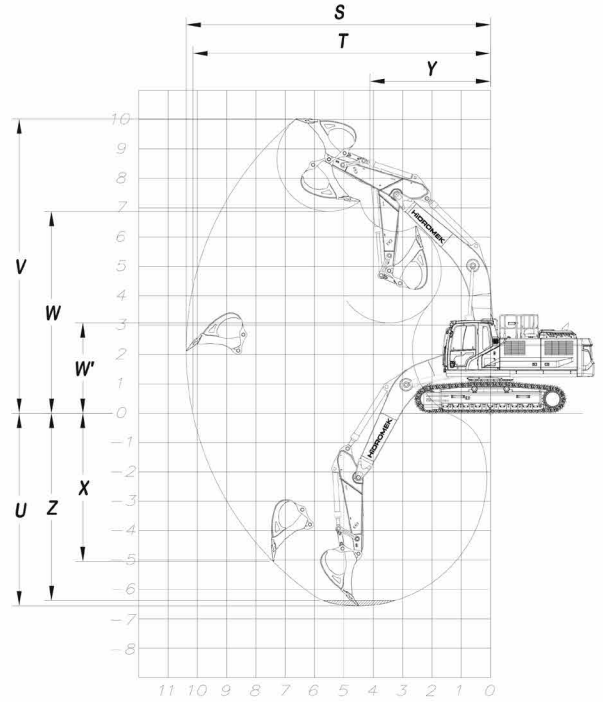
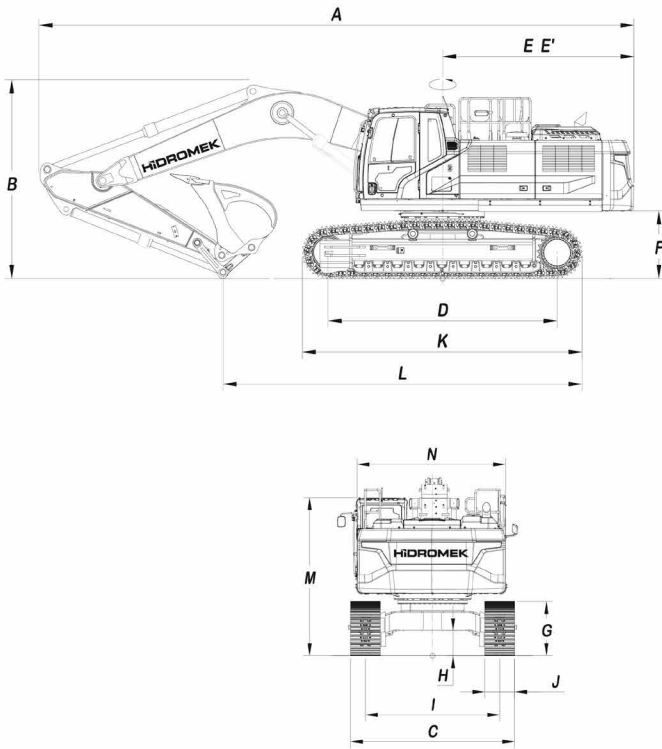
Voltage	: 24V
Battery	: 2 x 12 V / 150 Ah
Alternator	: 24 V / 50 A
Starting Motor	: 24 V / 5,0 kw

OPERATING WEIGHT

Standard machine operating weight : 41.600 kg

Operational weight, complying with the ISO 6016 standards, includes full fuel tank, hydraulic system and other liquids, 75 kg operator weight and standard equipped machine weight. Optional equipments are not included.

HMK 410 LC UHD H4



GENERAL DIMENSIONS

Boom Dimension	6.100 mm
Arm Dimension	2.600 mm
A - Overall length	10.940 mm
B - Overall height of boom	3.640 mm
C - Overall Width	3.500 mm
D - Tumbler distance	4.300 mm
E - Rear end length	3.450 mm
E' - Tail swing radius	3.505 mm
F - Counterweight clearance	1.330 mm
G - Crawler height	1.210 mm
H - Minimum ground clearance	615 mm
I - Track gauge	2.900 mm
J - Shoe width	600 mm
K - Crawler length	5.310 mm
L - Length on ground	6.640 mm
M - Cab height	3.280 mm
N - Upperstructure width	3.290 mm

WORKING DIMENSIONS

Boom Dimension	6.100 mm
Arm Dimension	2.600 mm
S - Max. digging reach	10.460 mm
T - Max. digging reach on ground	10.210 mm
U - Max. digging depth	6.530 mm
V - Max. cutting height	10.160 mm
W - Max. dumping height	6.910 mm
W' - Min. dumping height	3.110 mm
X - Max. vertical wall digging depth	4.720 mm
Y - Min. front swing radius	4.110 mm
Z - Maximum Digging Depth (2440 mm level)	6.350 mm

DIGGING PERFORMANCE

Standard Bucket Capacity (SAE)	2,5 m ³
Bucket digging force (power boost) ISO	23.700 (25.800) kgf
Arm breakout force (power boost) ISO	20.000 (21.800) kgf



HIDROMEK®

FACTORY - HEAD OFFICE

Ahi Evran OSB Mahallesi Osmanlı Caddesi No:1 06935 Sincan / ANKARA / TURKEY
Tel: (+90) 312 267 12 60 Fax: (+90) 312 267 12 39
www.hidromek.com

Notice:
Hidromek has the right to modify the specifications and design of the model indicated on this brochure without prior notice.